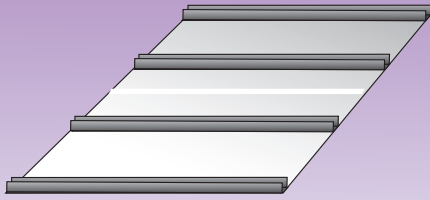
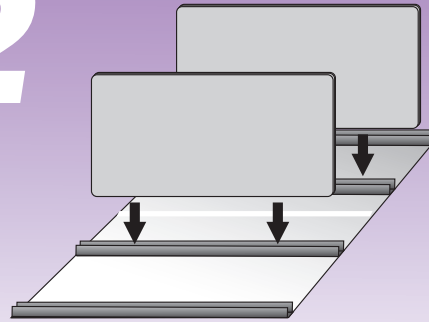


# Curved ECM 40 Podium

1

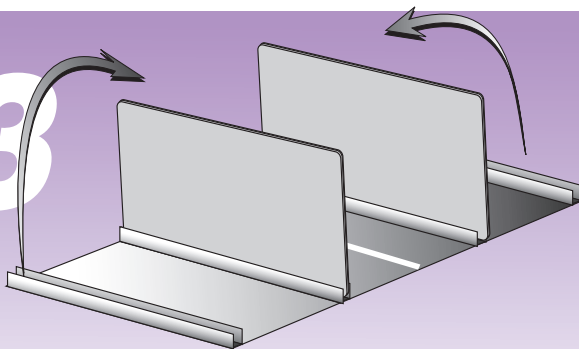


2



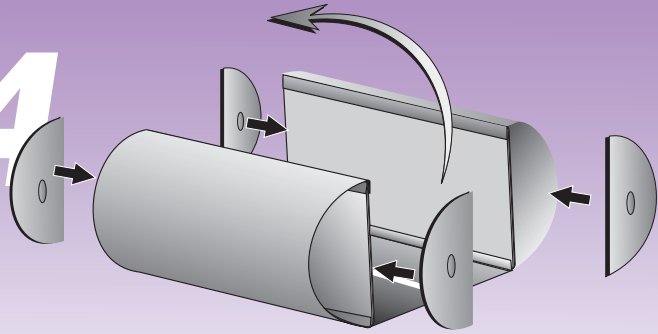
Place flexible panel face down on flat surface.  
Slip ridged single panels into "U" Channel.

3



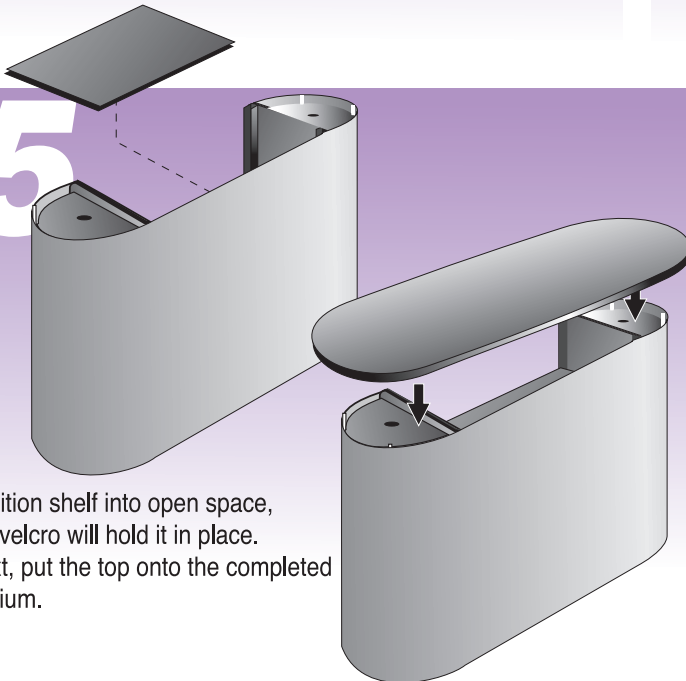
Arch panel forward and slide "U" Channel  
onto top of panel to form curved ends.

4



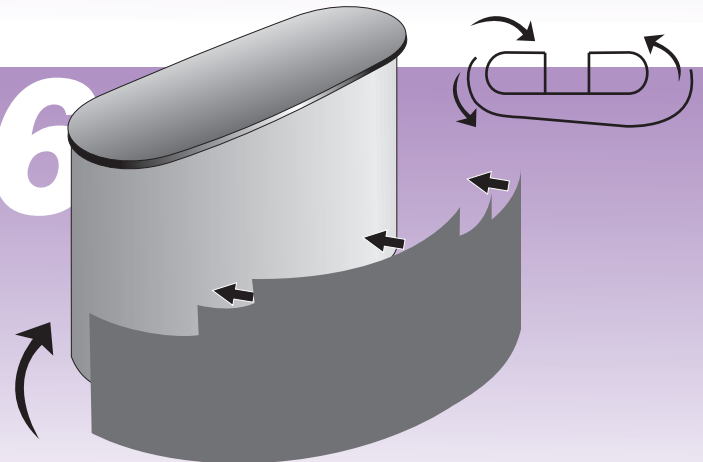
Stand unit on end to complete the assembly of the podium.  
Place hubs into ends to keep semicircular shape

5



Position shelf into open space,  
the velcro will hold it in place.  
Next, put the top onto the completed  
podium.

6



Finally, apply the graphics to the front.  
start with one side of the graphic and place  
it on the back of the unit. Then just wrap  
the graphic around the unit.

Visit [goExpogo.com](http://goExpogo.com)

**ExPoGo!**  
ExpoStar®-Prezenta®-ArchiForm®

(800)-891-1869