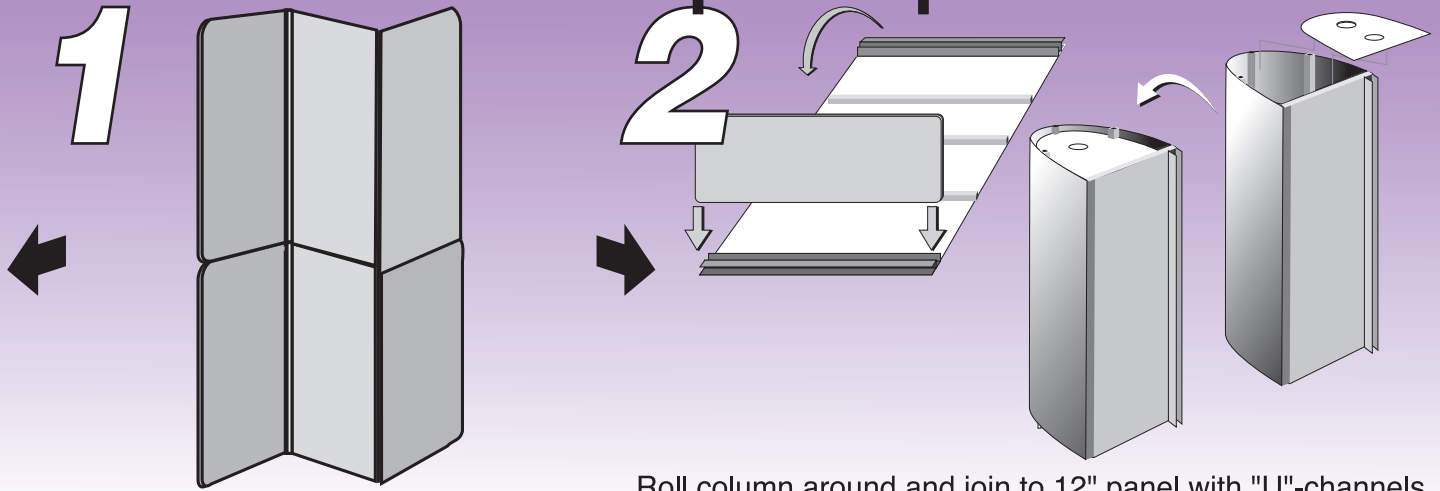
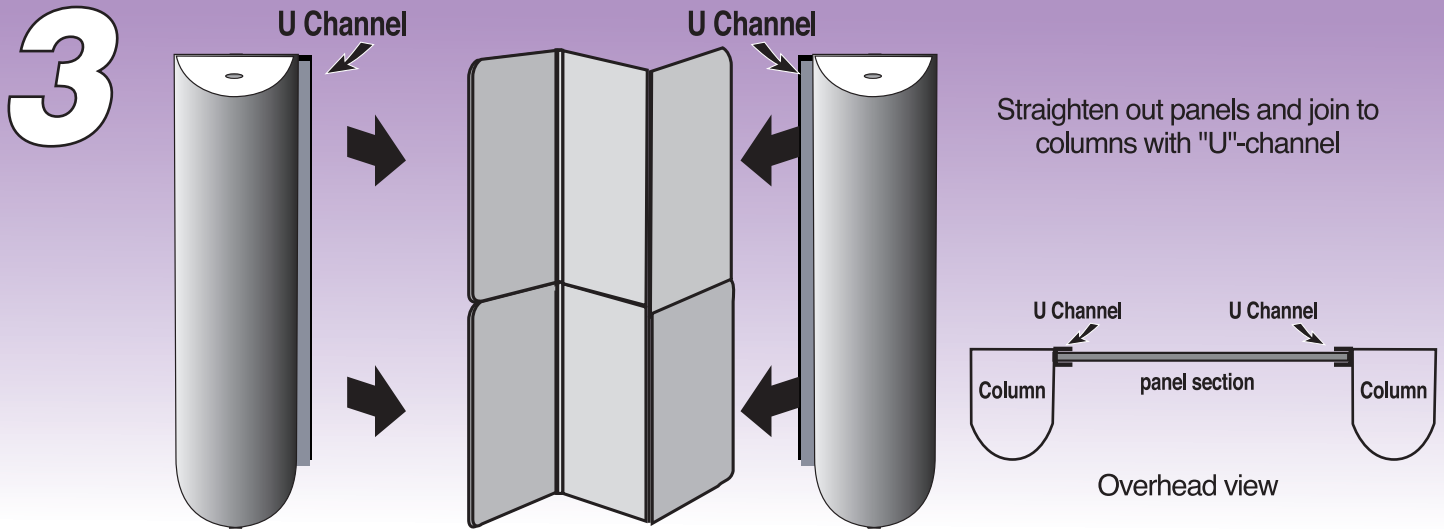


Rennaisance Tabletop Set-Up Instructions

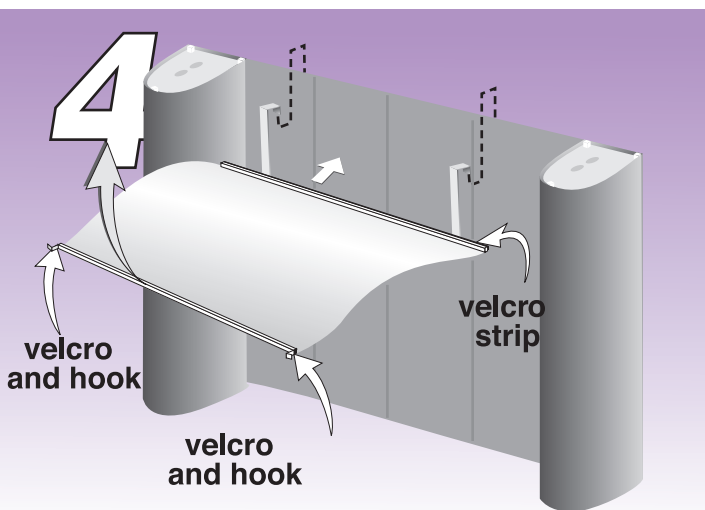
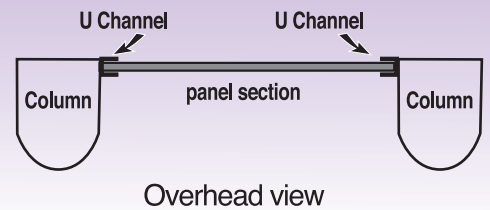


1
Unfold panels. Push center hinge forward and slide side panels forward, eventually this will form the back wall of the display for now leave the panels in a slight zig zag pattern.

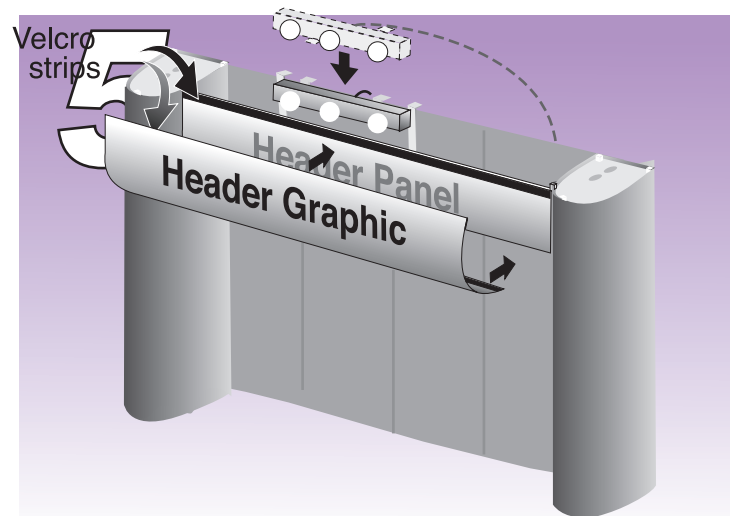
2
 Roll column around and join to 12" panel with "U"-channels. Next, place the "hubs" into the ends of the openings to keep their shape



3
 Straighten out panels and join to columns with "U"-channel



4
 The flexible header panel attaches by hooks over the top of the units' back, then the **velcro strip** "locks" it into place. Roll the front of the translucent header up and attach its **velcro** to the end curves. The small hook attaches over the top of the curve.



5
 Finally, place the light bar onto the back of the unit just like the header panel. The graphic snaps onto the Header Panel with velcro strips.

Visit goExpogo.com

EXPOGO!
 ExpoStar·Presenta·ArchiForm

(800)-891-1869