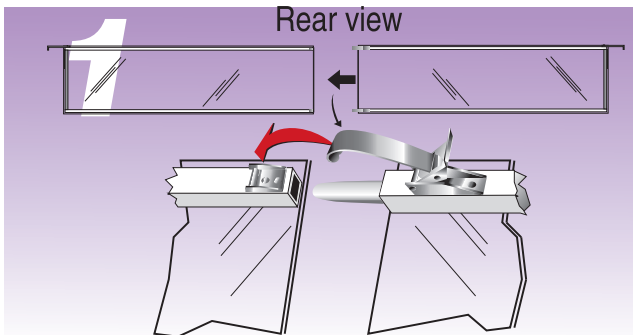
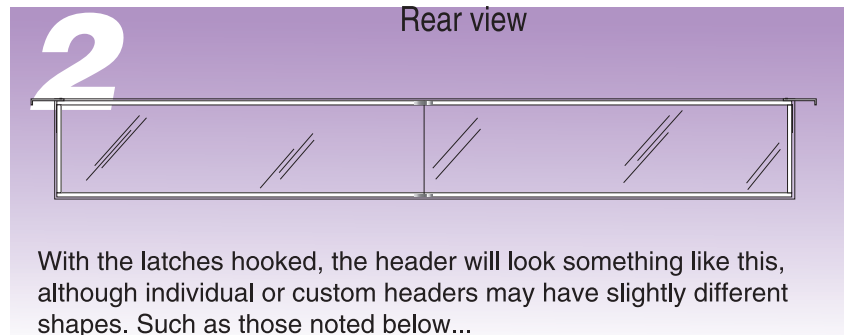


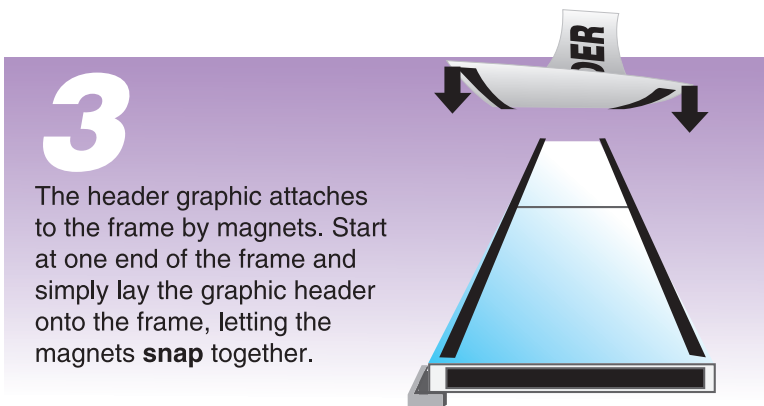
Two Piece Header Instructions



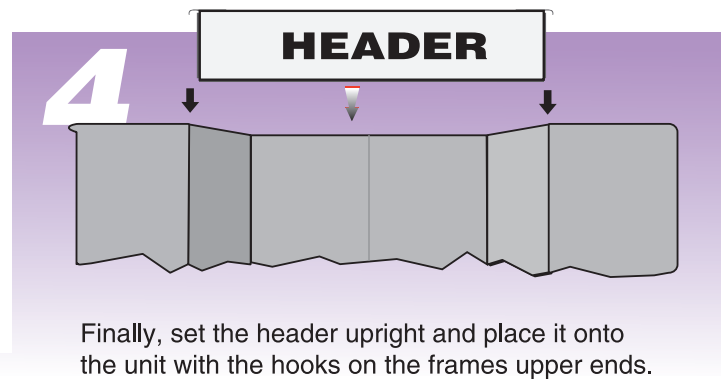
Align the two pieces of header frame so the metal pins insert into the aluminum channel. hook the latch onto the opposite side and snap it closed.



With the latches hooked, the header will look something like this, although individual or custom headers may have slightly different shapes. Such as those noted below...



The header graphic attaches to the frame by magnets. Start at one end of the frame and simply lay the graphic header onto the frame, letting the magnets **snap** together.



Finally, set the header upright and place it onto the unit with the hooks on the frames upper ends.

Visit goExpogo.com

ExPoGo!
ExpoStar®·Prezenta®·ArchiForm®

(800)-891-1869