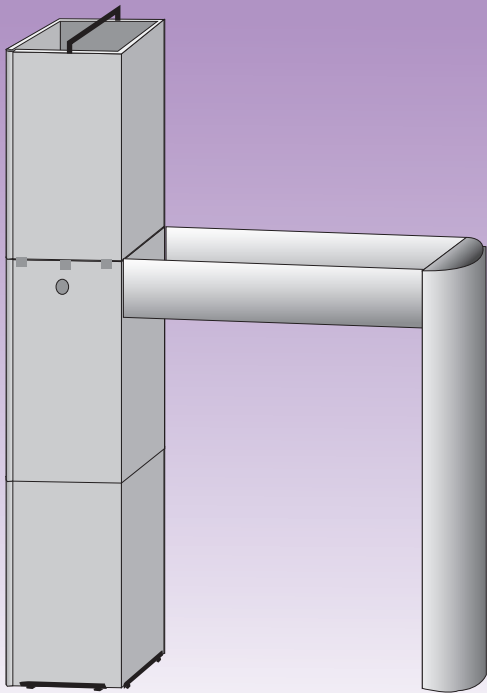
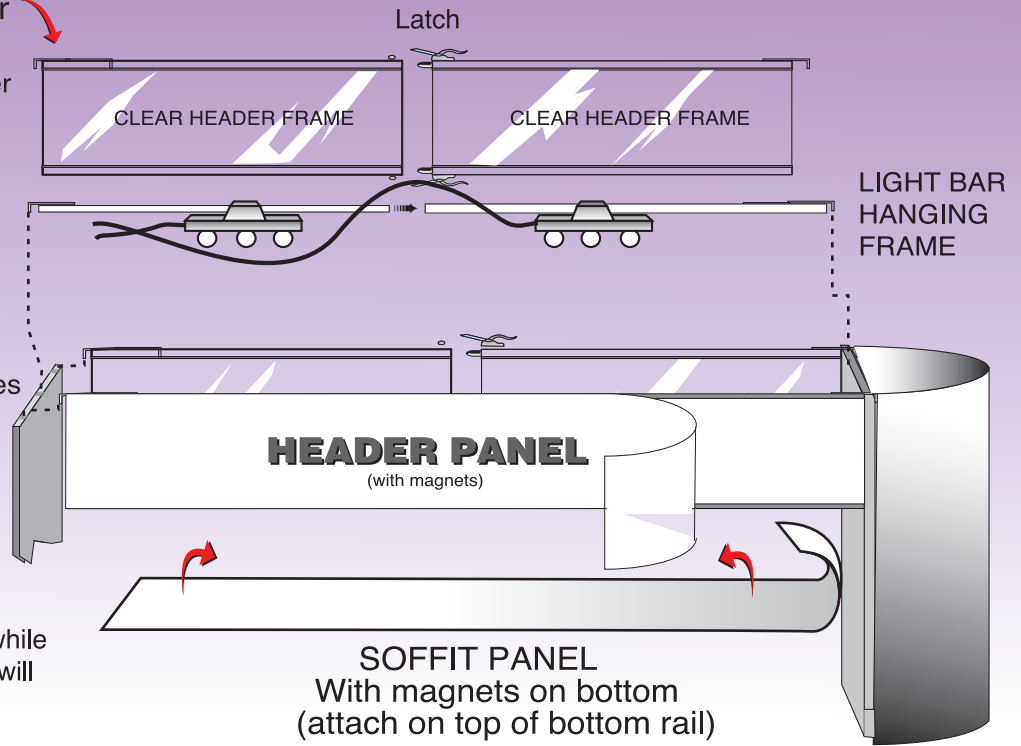


Center Tower Instructions, pg3

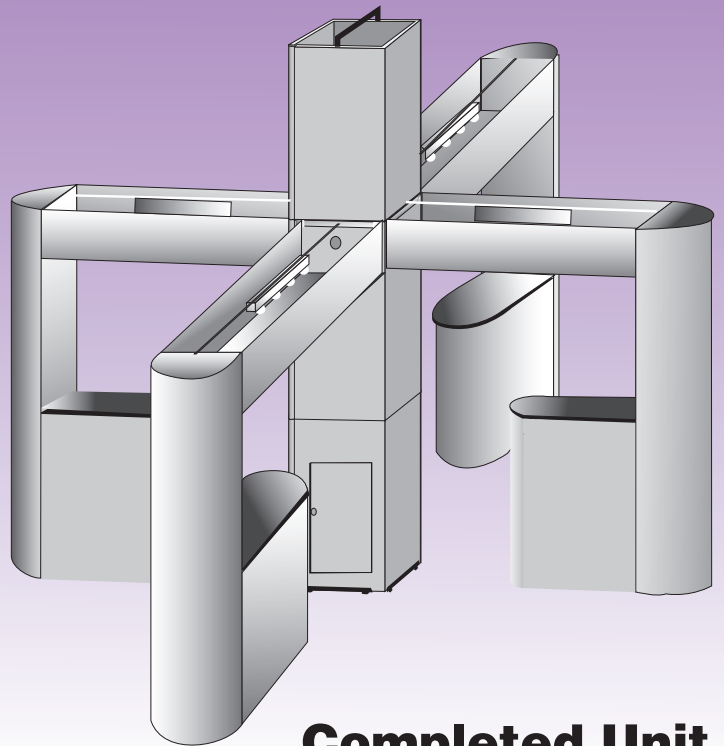
BRIDGE HEADER INSTRUCTIONS

Shorter hook goes on center tower side

1. Join clear plex headers together by sliding connecting pins into channels. Now fasten latches.
2. Hang header between Curve and Center tower.
3. Slide light bar onto hanging bars length adjusts by sliding one end in or out.
4. Hang light bar between Curved and Center tower, inside hook goes into center notch.
5. Place Soffit panel between Curve and Center tower. magnet side down, and allow magnets on top of bottom rail on header to **snap** to soffit panels.
6. Add graphics to Header panels while they are still on the ground as this will stabilize and ease installation of bridge header onto the tower.



Completed Center tower and one bridge.



Completed Unit