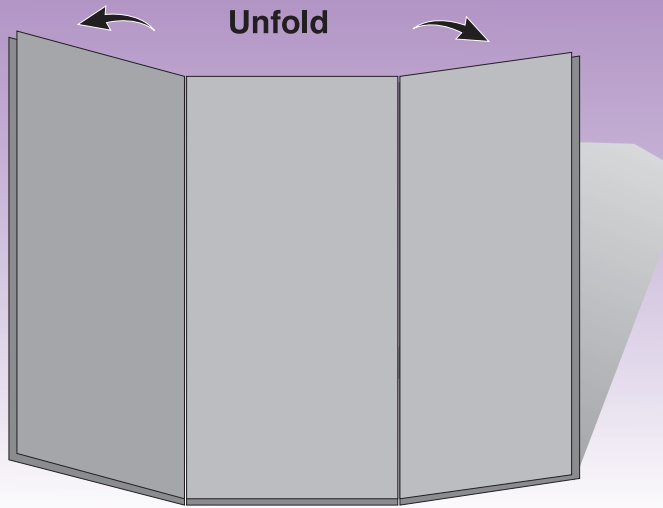


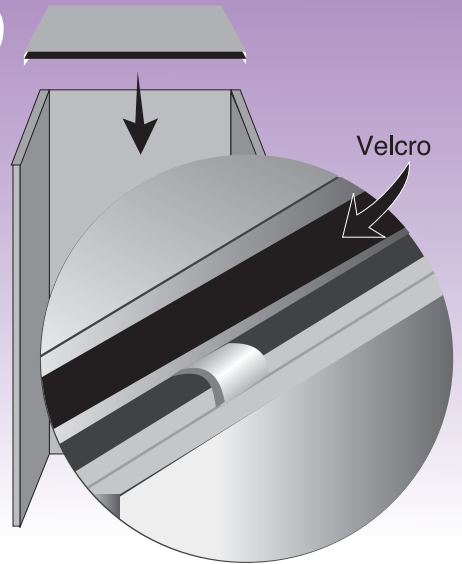
AV Tower Assembly

1



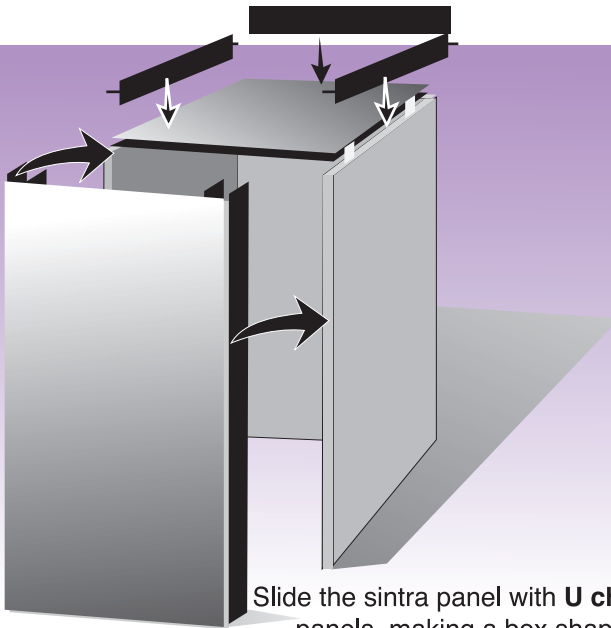
Unfold the main three panels of the unit into a U-shape

2



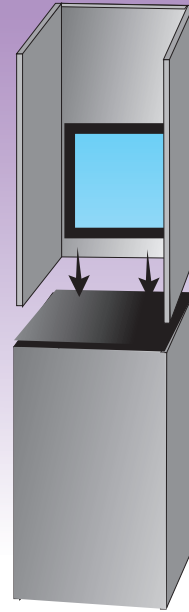
Next, the T.V. support platform (with Velcro) is placed on top (the metal tabs insert into the slots on top)

3



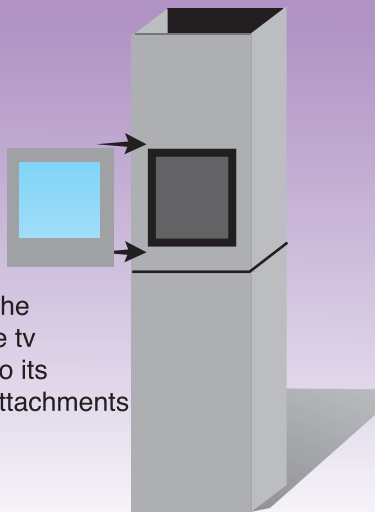
Slide the sintra panel with **U channels** onto the panels, making a box shape, then insert the stacking guides into the slots on top as well

4



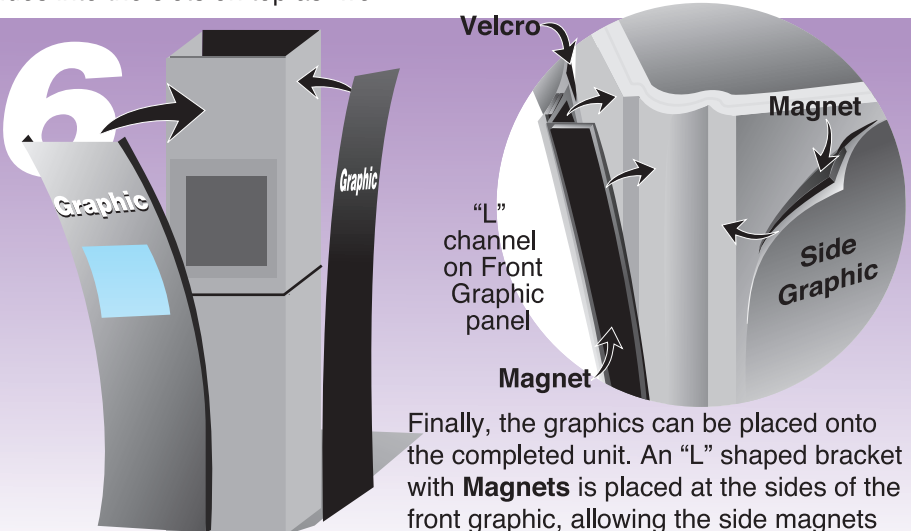
Now, add the top (it has the hole for the T.V.) it fits onto the stacking guides and the platform's velcro will hold it steady. Next place the t.v. inside and add the back as before.

5



Next place the cover for the tv opening onto its **magnetic** attachments

6



Finally, the graphics can be placed onto the completed unit. An "L" shaped bracket with **Magnets** is placed at the sides of the front graphic, allowing the side magnets to **snap** to it